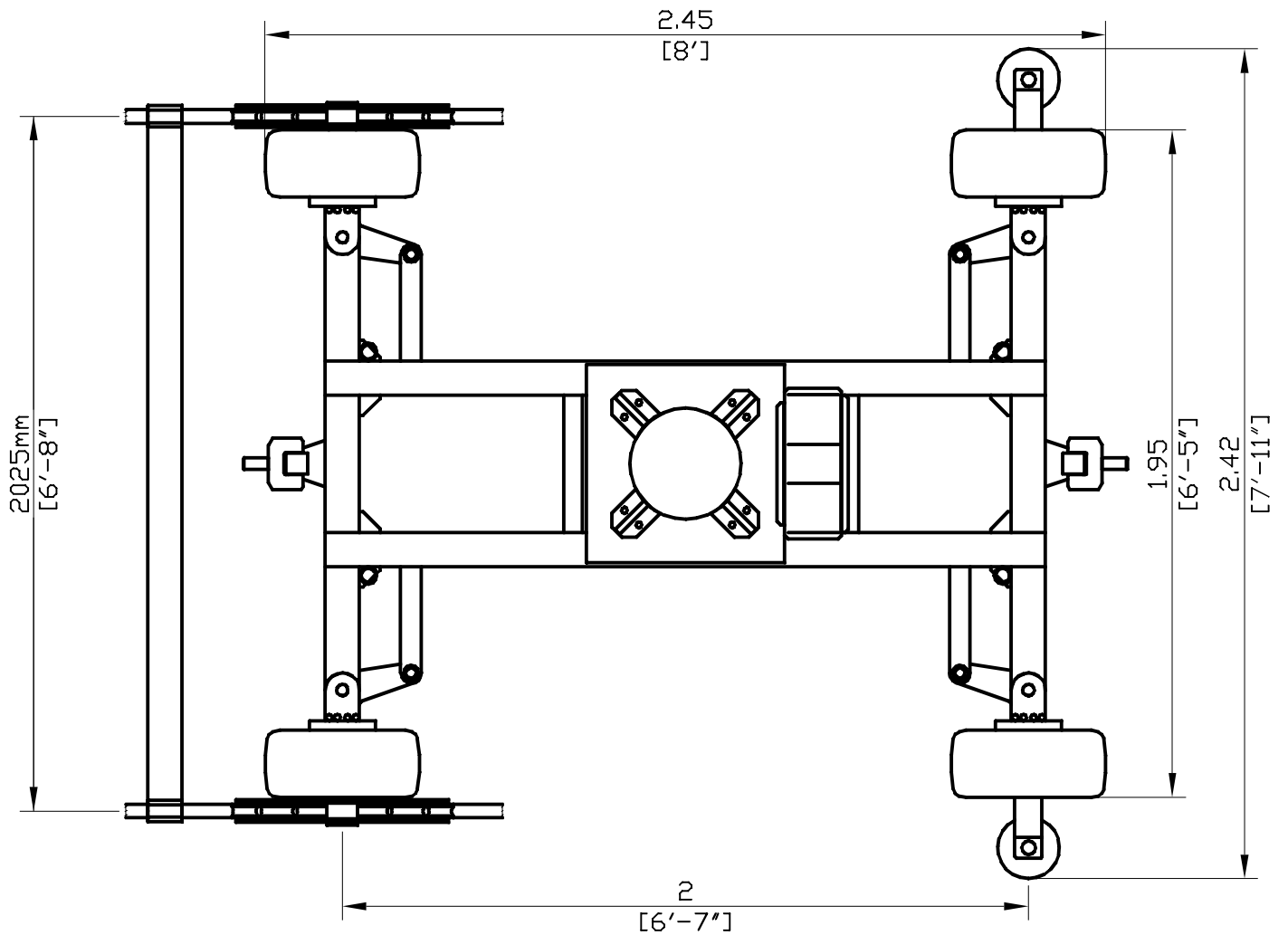
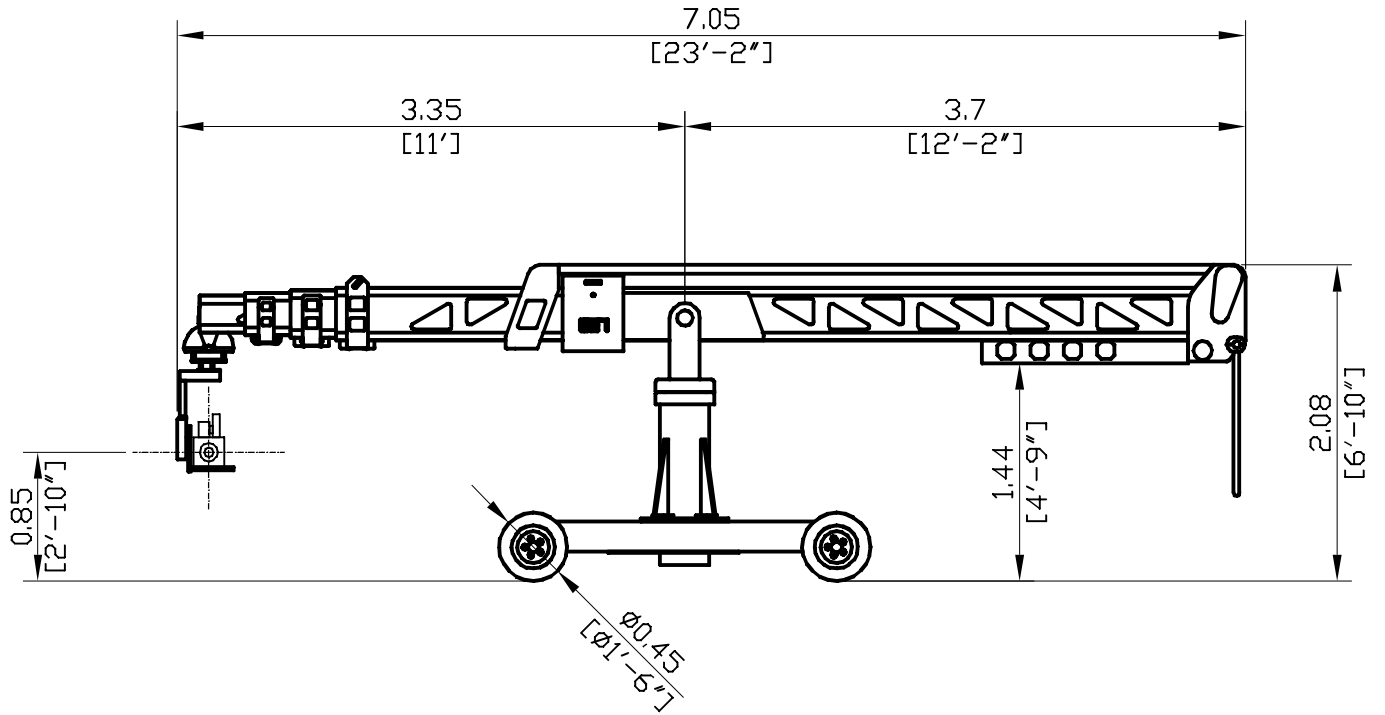


SUPERTECHNO 50

Max. lens height:	15,1 m / 50 ft.
Max. telescopic extent:	11,4 m / 37 ft.
Max. camera weight:	35 kg / 80 lb
Total weight:	2300 kg / 5100 lb
Max. speed:	0 - 2,0 m/s



SUPERTECHNO 50

Max. lens height:
Max. telescopic extent:
Max. camera weight:
Total weight:

15,1 m / 50 ft.
11,4 m / 37 ft.
35 kg / 80 lb
2300 kg / 5100 lb

Max. speed

0 - 2,0 m/s

