



Leading the Charge.



## Panalux Power i2™

**With the Panalux Power i2, Panalux is taking another positive step toward reducing diesel-generator running hours, noise pollution, and the emission of nitrogen oxides and particulates. The Panalux Power i2 features an advanced lithium-ion battery array capable of delivering 240V AC power up to a load of 2kW.**

The compact size of the Panalux Power i2 makes it ideal for use in remote locations, crane compound during setup, video village, or in public locations where cable runs would create a safety hazard.

### Key Features

- Provides power for lights, laptops, tablets, phones, and other auxiliary devices
- Silent, rechargeable lithium-ion battery-powered generator, producing zero emissions
- Perfect companion for features, series, commercials, and photographic shoots
- Built-in LCD display (battery level indicator, output watts, charging time)
- Various power outlet options (16A, 13A, USB)
- Short circuit, over current, over voltage, under voltage, and thermal protection
- Can be utilised as an uninterruptible power supply (UPS)
- Built to meet demands of tough locations
- IP55 rated

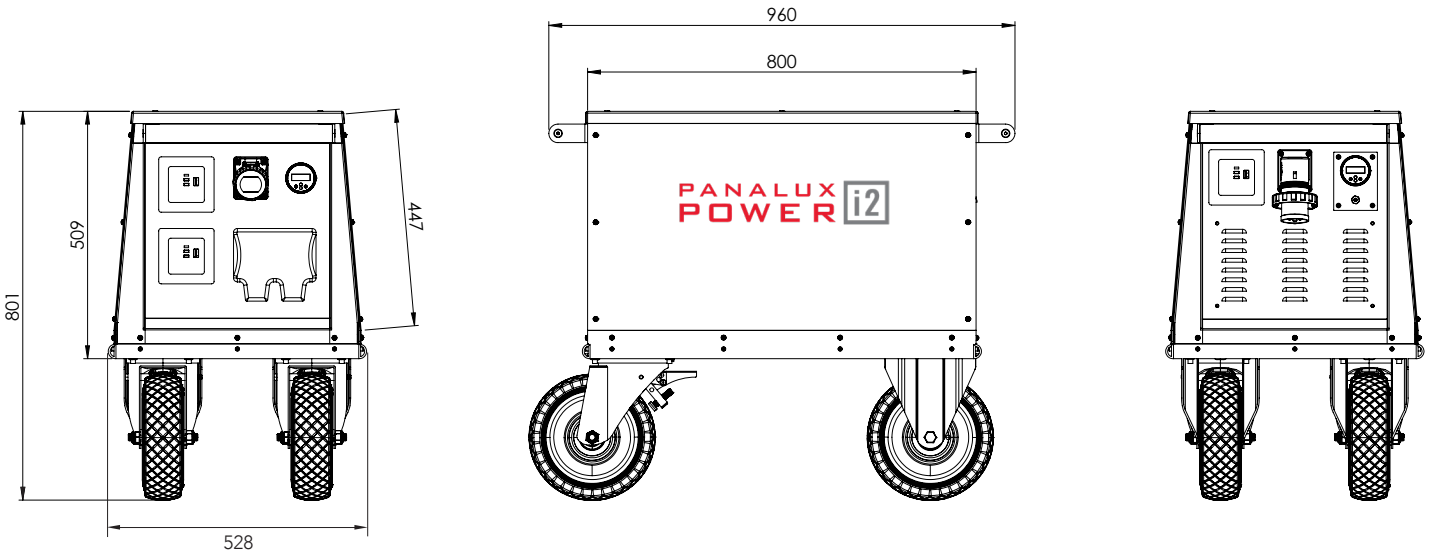


Leading the Charge.

## Specifications

<p><b>Outlets</b> 1x 240V AC 16A 2x 240V AC 13A 2x 5V DC 3.1A USB</p> <p><b>Operational Storage</b> 4.0 kWh Lithium-ion Battery</p> <p><b>Rated Output</b> Pure Sine Wave 2.4kW</p> <p><b>AC Output</b> Surge Rating: 5.5kW peak</p> <p><b>AC Charging</b> Single Phase 240V AC @50Hz 1x 240V AC 32A In Charging Time (empty to fully charged): 3Hrs*</p>	<p><b>Operating Conditions</b> Operating Temperature (discharging): 0°C to +50°C Operating Temperature (charging): 0°C to +45°C</p> <p><b>IP Rating</b> IP55</p> <p><b>Weight</b> 110kg*</p> <p><b>Wheels</b> Black Diamond Puncture Proof</p> <p><b>Dimensions</b> 960 x 528 x 801 mm (L x W x H)</p> <p><b>Safety</b> Non-Combustible Sturdy Rollable Frame and Enclosure Conforms to Low Voltage Directive 2014/35/EU Conforms to Electromagnetic Compatibility 2014/30/EU Recommended Storage Temperature: -40°C to +65°C</p>
---	---

## Overall Dimensions



\*estimated values. Please contact for more information.